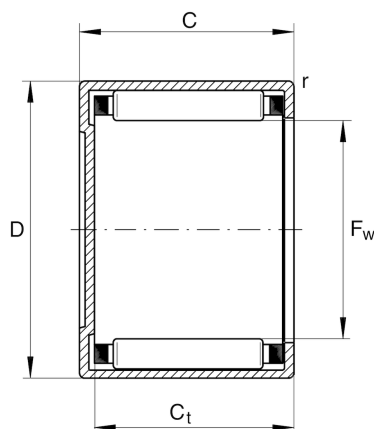
**BK0609-B**

Drawn cup needle roller bearing closed end

Schaeffler ID:
0011977970000Drawn cup needle roller bearings with
closed end BK, to DIN 618/ISO 3245

Technical information

**Main Dimensions & Performance Data**

F_w	6 mm	Under roller diameter
D	10 mm	Outside diameter
C	9 mm	Width, outer ring
C_r	2,850 N	Basic dynamic load rating, radial
C_{0r}	2,600 N	Basic static load rating, radial
C_{ur}	320 N	Fatigue load limit, radial
n_G	36,500 1/min	Limiting speed
$n_{G \text{ Grease}}$	21,900 1/min	Limiting speed for grease lubrication
n_{gr}	30,500 1/min	Reference speed
	2.425 g	Weight

Additional information

r_{\min}	0.4 mm	Minimum chamfer dimension
	GR6X10X2	Sealing ring
$C_{t \min}$	7.4 mm	Minimum width to base of drawn cup with closed end

Temperature range

T_{\min}	-30 °C	Operating temperature min.
T_{\max}	140 °C	Operating temperature max.